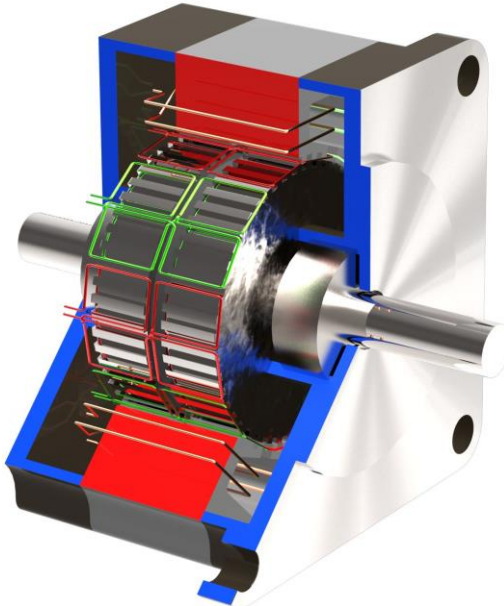
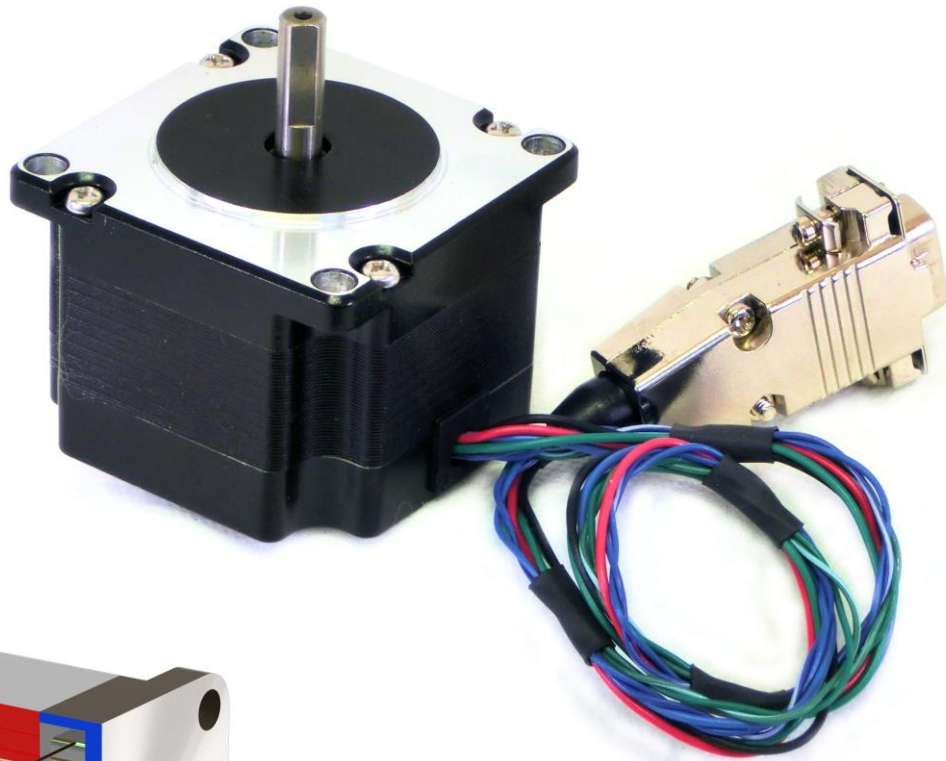


NEMA 23 Mosolver - Motor with integrated feedback



Internal sense coils are added inside the motor (shown symbolically in cut-away) to sense position by intercepting a portion of the flux used to operate the motor. See www.Mosolver.com for more details.

Note: Motor specifications (including torque curves) are only true when the motors are used in conjunction with QuickSilver's SilverSterling™. See the controller datasheets for more details.

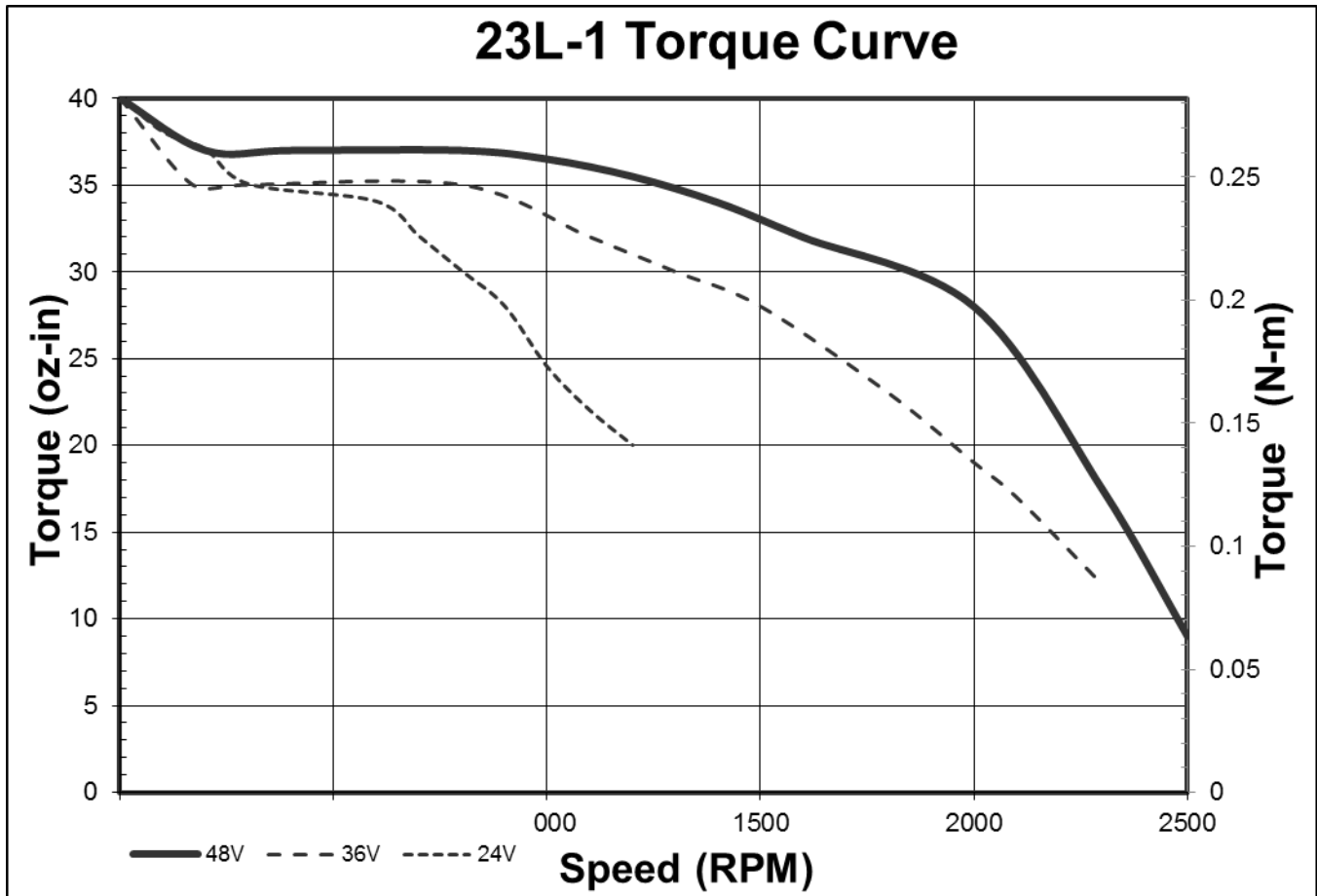
General Motor Specifications

Specifications	MV23L-1
Maximum Speed (RPM)	3000
48v Optimal Speed (RPM)	2000
Torque (oz-in / Nm) at Optimal Speed	22 0.15
Continuous Stall Torque oz-in / Nm	40 0.28
Peak Power (Mech. Watts)	44
Rotor Inertia oz-in ² / Kg-m ²	.74 1.35e-5
Weight pounds / Kg	1.05 0.48
Maximum Driver Input Current (Amps - DC)	2.5
Shaft Diameter in / mm	0.25 / 6.25
Maximum Axial Force (lbs)	13
Maximum Radial Force(lbs) 0.55" from mounting face	15

Torque Curves

Torque curves represent motor torque at the specified voltage when the TQL command is set to “100%”. These curves represent torque up to 100% duty cycle depending on ambient temperature, heat sinking and air flow.

“Optimal Speed” point provides the maximum available power at “100%” torque setting, which is usually the maximum efficiency point as well. If these two points differ, the “Optimal speed” is approximately the average of the two speeds.



Electrical Specifications

Feedback Interface

The Mosolver utilizes an internal sense coil which determines position by measuring a portion of the flux from the chopper drive used to drive the motor. The position sensing is only active when the chopper drive is active. The sense amplifiers are within the QCI-S2-IG **

Motor Memory

These motors come from the factory with a memory chip containing feedback configuration and motor information. This information is automatically uploaded by the SilverSterling™ S2's controller/drivers to simplify the initialization process.

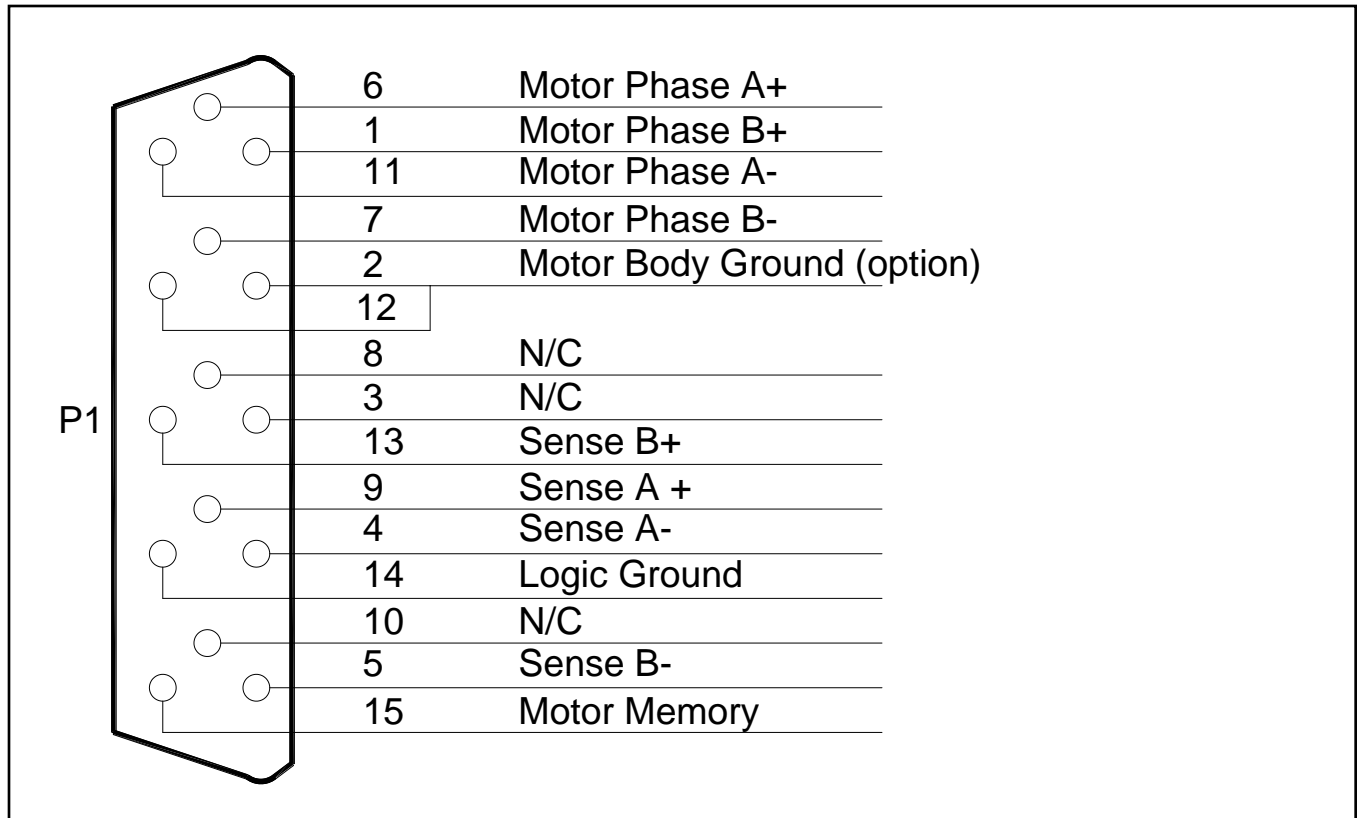
Wiring

Motor includes 12" cable (including connector) which may connect directly to the QCI-S2-IG motor/encoder connector, or may be used with up to a 10' QCI-C-D15P-D15S-xx motor/encoder cable.

** Available after S/N 2S2000

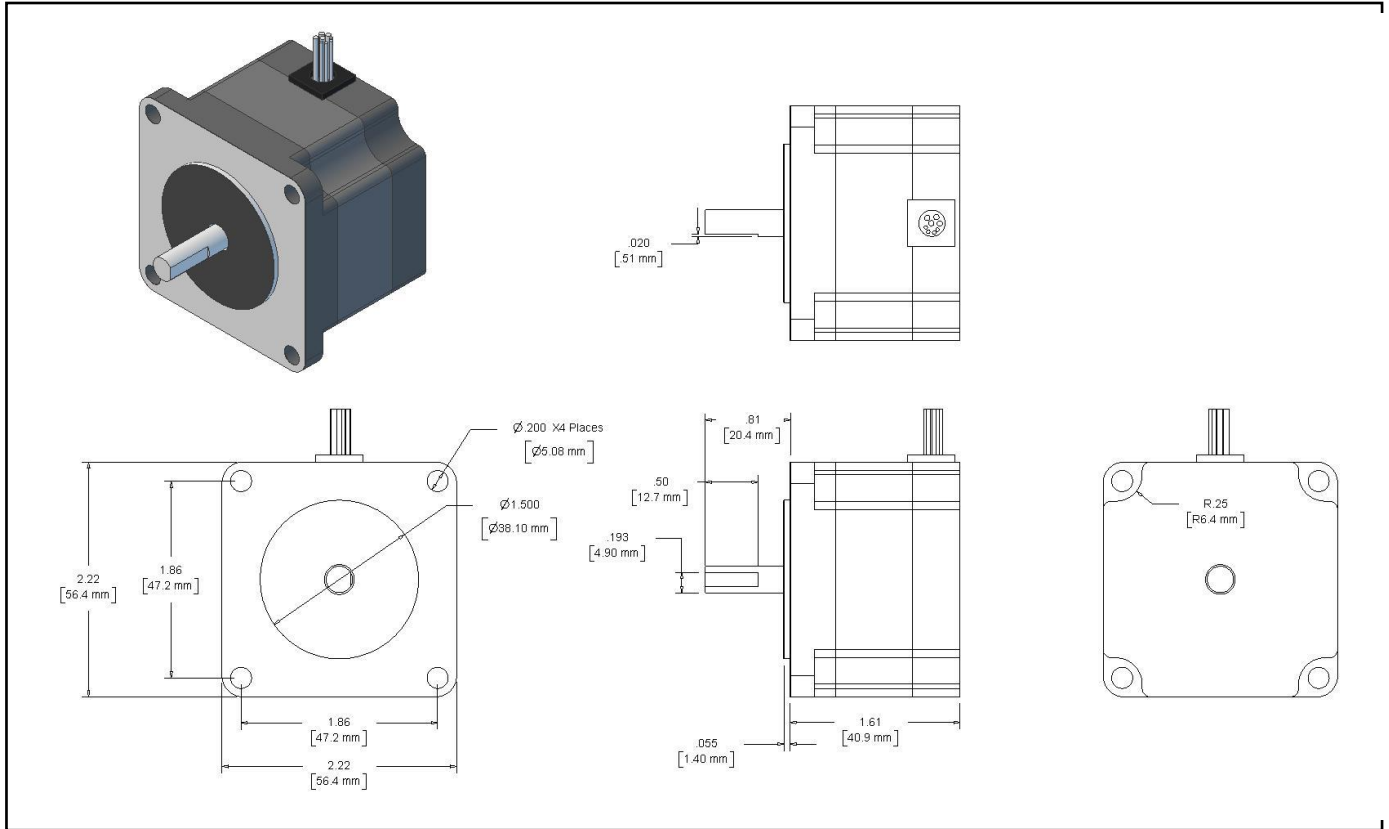
Connector Data

Standard DB-HD15 pin



⚠️ Note: The motor construction uses a wave spring to compensate for mechanical tolerances and thermal expansion in the axial shaft direction. Pushing in the shaft while operating may affect sensor accuracy. High forces on the shaft will shorten bearing life and excessive levels may cause immediate failure of the shaft and/or bearings. Do NOT strike with a hammer or impact tool! Support rear shaft if pressing a gear or pulley.

Mechanical Specifications



Motor Series	Length	Shaft diameter	Notes **
MV23L-1	1.61 [41 mm]	0.250 [6.25 mm]	Shaft has one .020 [.5 mm] flat

Environmental Specifications

Operational Temperature

-10 C to +80 C

Storage Temperature

-40 C to +85 C

Humidity

Continuous specification is 95% RH non-condensing.

Shock

Limitation is approximately 50g/11ms.

IP Rating - Standard

IP50

Part Numbers

NEMA 23 I-Grade Motors/Encoders	
MOTOR TYPE/SIZE	MOTOR INTERFACE
<ul style="list-style-type: none"> QCI-MV23L-1 	Blank – Standard <ul style="list-style-type: none"> DB15HD Motor Interface Connector
To create a part number, choose one from each column above. For example: QCI-MV23L-1	
QCI-MV23L-1	
This selection creates the part number: QCI-M23L-1	

Contact Information

QuickSilver Controls, Inc.
 712 Arrow Grand Circle
 Covina, CA 91722
 (626) 384-4760 or (888) 660-3801
 (626) 384-4761 FAX
www.QuickSilverControls.com