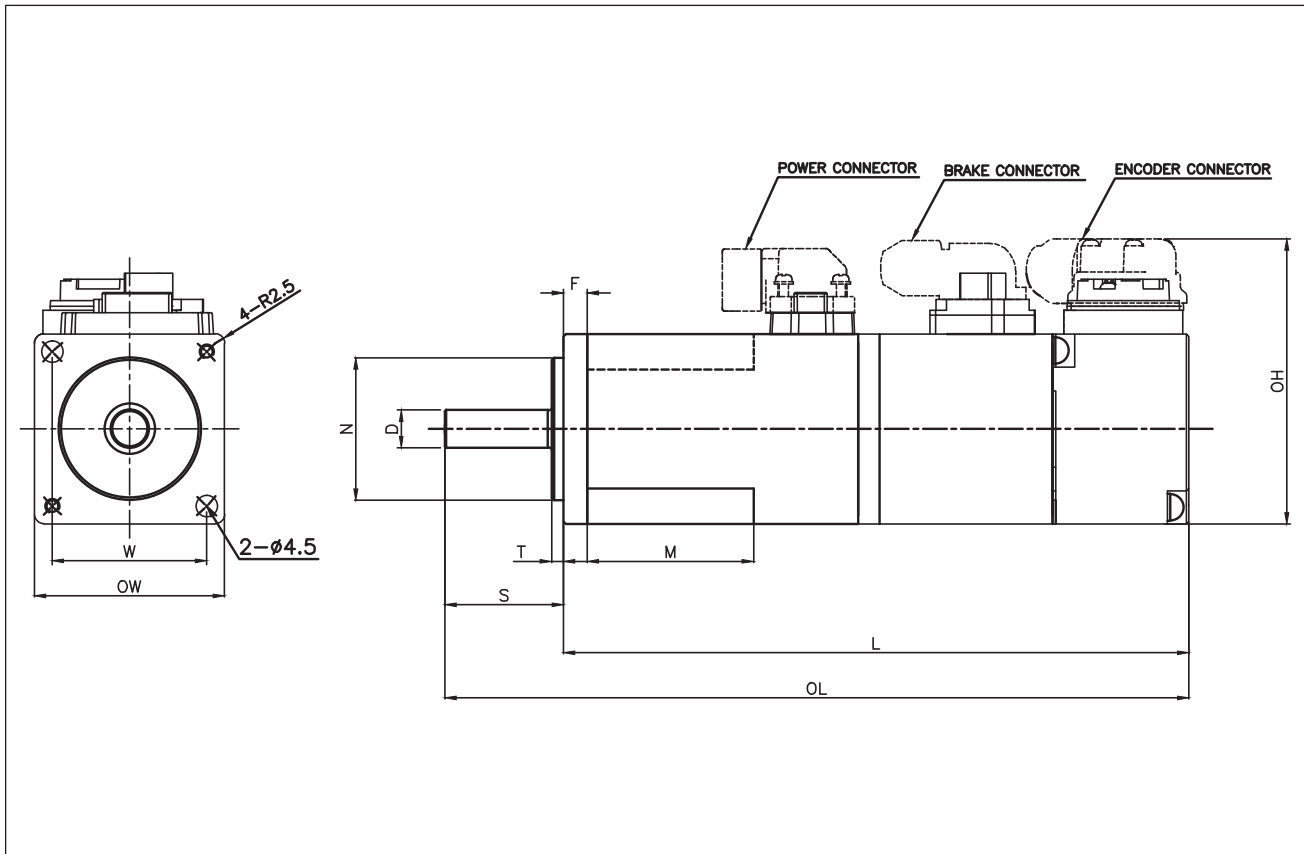


FAL Dimensions



(Unit: mm)

	OW	OH	OL	L	N	W	D	F	M	S	T
PM-FALR5AM8N	40	60	103.2	78.2	30	32.5**	8	5	23	25	2.5
PM-FAL01AM8N			120.2	95.2					35		
PM-FAL015AM8N			140.2	115.2					35		
PM-FAL01AM8N2*			156.6	131.6					35		

Notes

- FAL series does not include keyway

* Includes Static Brake

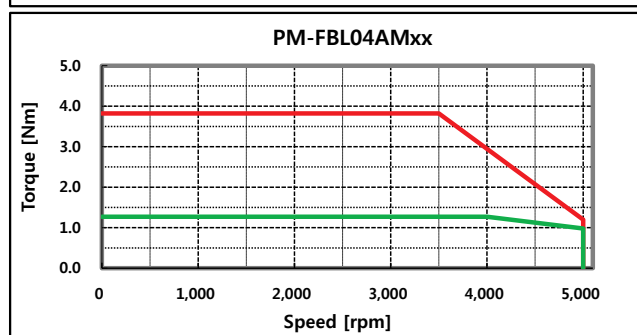
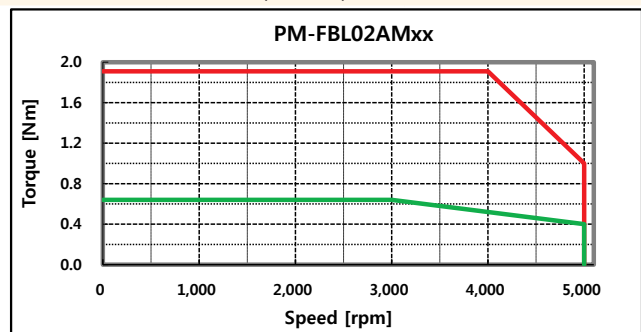
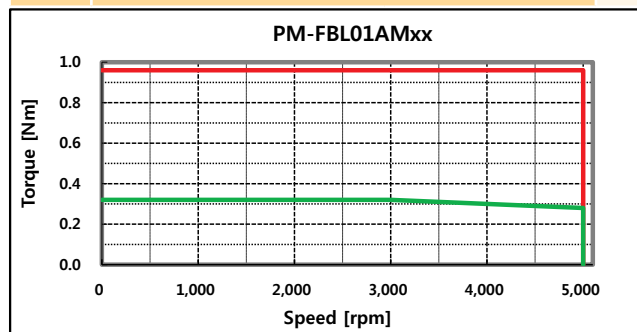
**Bolt Circle Diameter =46mm

Solid Models Available for Download parkermotion.com/pseries

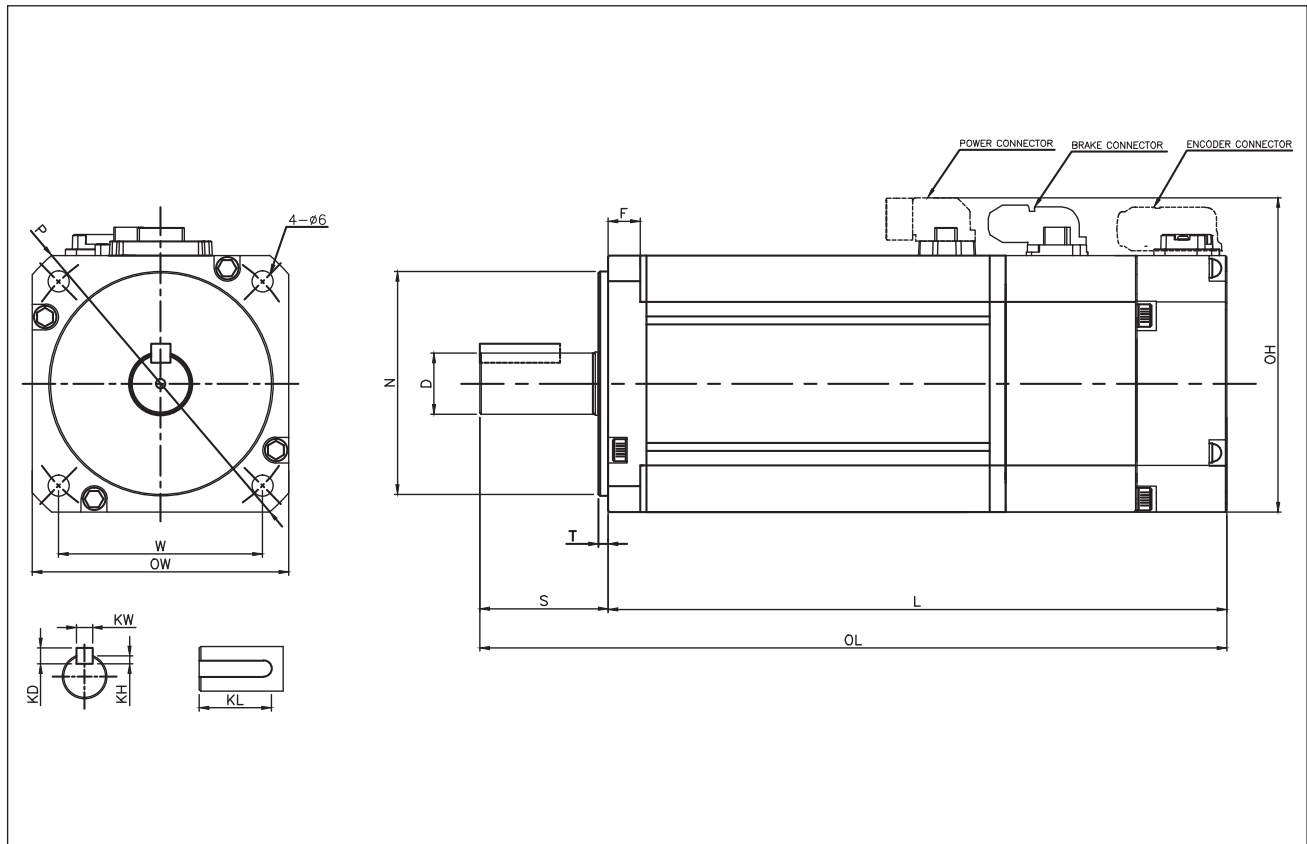
P Series Servo Motors

FBL Specifications

		PM-FBL01AM	PM-FBL02AM	PM-FBL04AM
Rated Output Power	Watts	100	200	400
Rated Torque	N-m	0.32	0.64	1.27
	in-lb	2.8	5.7	11.2
Instantaneous Peak Torque	N-m	0.96	1.91	3.82
	in-lb	8.5	16.9	33.8
Rated Speed	rpm	3000	3000	3000
Peak Speed	rpm	5000	5000	5000
Rated Current	Arms	0.95	1.45	2.60
Peak Current	Arms	2.86	4.35	7.80
Inductance	mH	10.46	9.03	5.68
Resistance	ohms	4.33	2.59	1.33
Torque Constant	Nm/Arms	0.36	0.47	0.52
Moment of Inertia	kg-m ² x 10 ⁻⁴	0.09	0.15	0.25
	in-lb-sec ² x 10 ⁻⁴	0.80	1.33	2.21
Allowable Moment of Load Inertia	Motor Inertia x 20			
Position Feedback	BiSS-C Interface – 19bit/16bit 524,288ppr 65,535 revs			
Weight	kg	0.72	0.94	1.32
	lb	1.6	2.1	2.9
Standards	CE (EMC, LVD), UL (pending)			
Protection	IP67 (body and connectors, not shaft)			
Environmental				
Temperature	0 - 40 °C			
Humidity	20-80% non-condensing			
Shock / Vibration	5G (49m/s ²)			



FBL Dimensions



(Unit: mm)

	OW	OH	OL	L	N	W	D	F	S	T	KW	KH	KD	KL	P
PM-FBL01AMK	62	80	107.2	77.2	50	49.5**	14	6	30	3	5	3	5	22.5	80
PM-FBL02AMK			118.2	88.2											
PM-FBL04AMK			138.2	108.2											
PM-FBL01AMK2*			147.2	117.2											
PM-FBL02AMK2*			158.2	128.2											
PM-FBL04AMK2*			178.2	148.2											

Notes

* Includes Static Brake

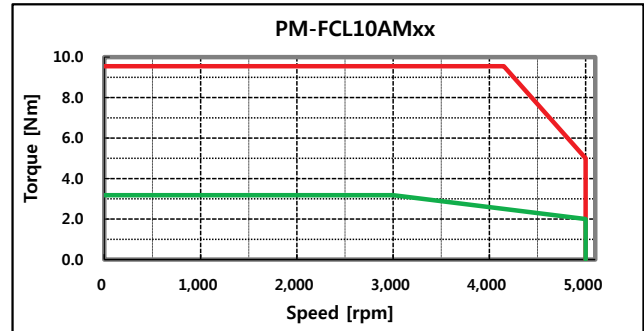
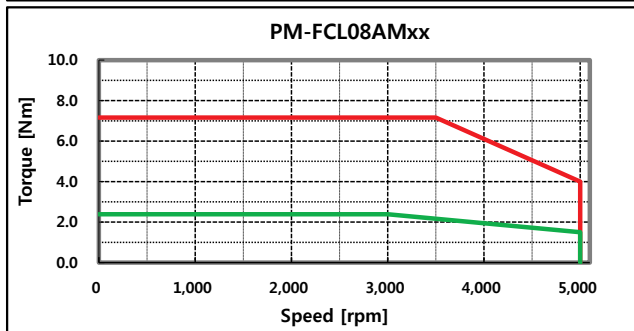
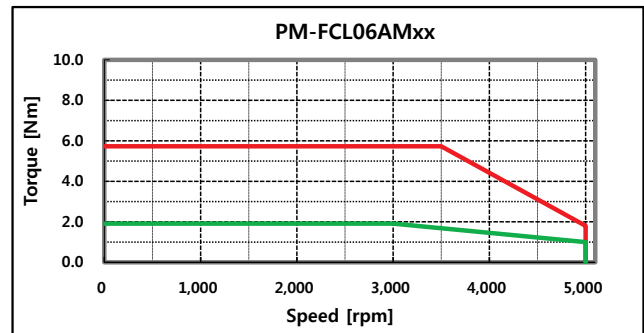
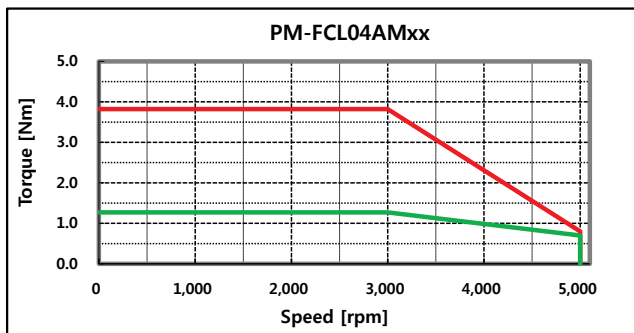
**Bolt Circle Diameter =70mm

Solid Models Available for Download parkermotion.com/pseries

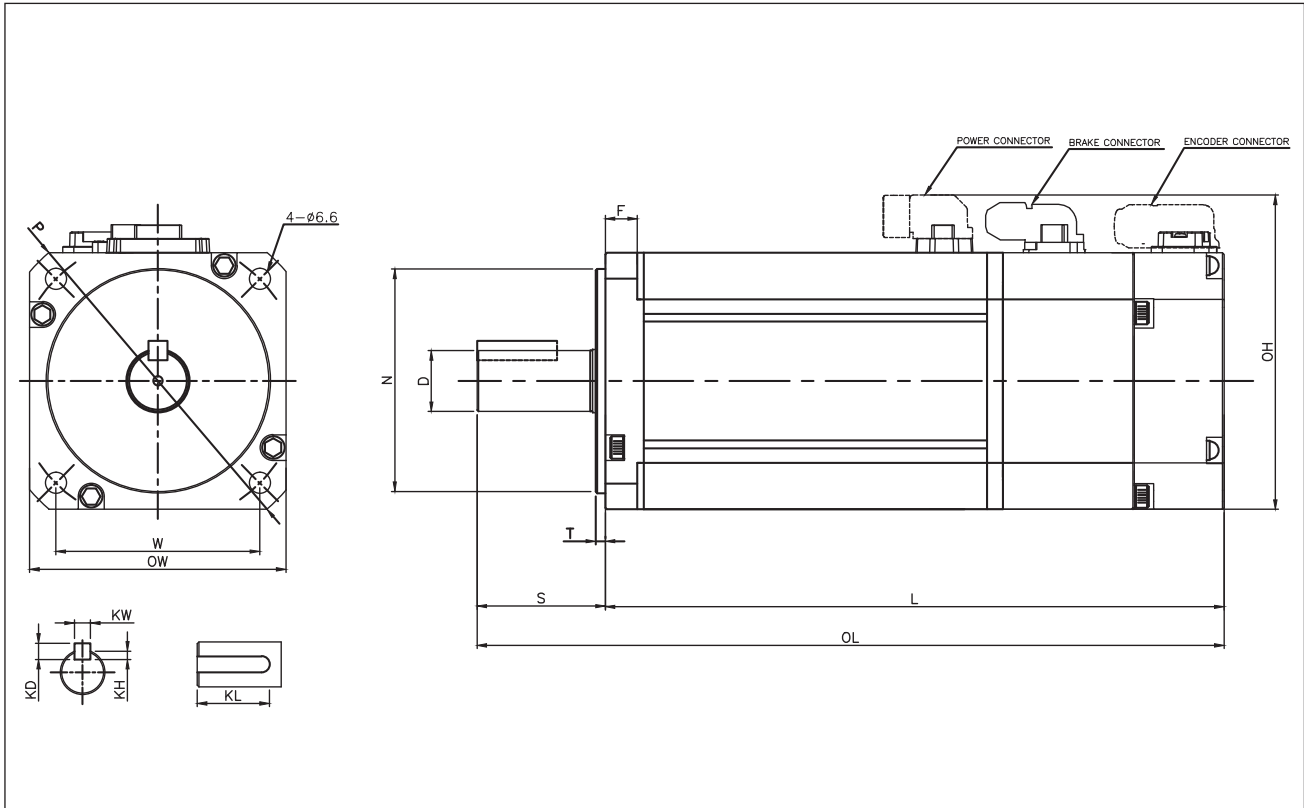
P Series Servo Motors

FCL Specifications

		PM-FCL04AM	PM-FCL06AM	PM-FCL08AM	PM-FCL10AM	
Rated Output Power	Watts	400	600	800	1000	
Rated Torque	N-m	1.27	1.91	2.39	3.18	
	in-lb	11.2	16.9	21.2	28.1	
Instantaneous Peak Torque	N-m	3.82	5.73	7.16	9.55	
	in-lb	33.8	50.7	63.4	84.5	
Rated Speed	rpm	3000	3000	3000	3000	
Peak Speed	rpm	5000	5000	5000	5000	
Rated Current	Arms	2.58	3.81	5.02	5.83	
Peak Current	Arms	7.75	11.42	15.07	17.50	
Inductance	mH	7.45	3.86	2.31	2.28	
Resistance	ohms	1.75	0.66	0.40	0.33	
Torque Constant	Nm/Arms	0.52	0.53	0.50	0.58	
Moment of Inertia	kg-m ² x 10 ⁻⁴	0.5	0.88	1.25	1.62	
	in-lb-sec ² x 10 ⁻⁴	4.4	7.8	11.1	14.3	
Allowable Moment of Load Inertia	Motor Inertia x 15					
Position Feedback	BiSS-C Interface – 19bit/16bit 524,288ppr 65,535 revs					
Weight	kg	1.56	2.18	2.72	3.8	
	lb	3.4	4.8	6.0	8.4	
Standards	CE (EMC, LVD), UL (pending)					
Protection	IP67 (body and connectors, not shaft)					
Environmental						
	Temperature	0 - 40 °C				
	Humidity	20-80% non-condensing				
	Shock / Vibration	5G (49m/s ²)				



FCL Dimensions



(Unit: mm)

	OW	OH	OL	L	N	W	D	F	S	T	KW	KH	KD	KL	P
PM-FCL04AMK	80	98	138.7	98.7	70	63.6**	14	10	40	3	5	3	5	25	105
PM-FCL06AMK			156.7	116.7			19				6	3.5	6		
PM-FCL08AMK			174.7	134.7			19				6	3.5	6		
PM-FCL10AMK			192.7	152.7			14				5	3	5		
PM-FCL04AMK2*			179	139			14				5	3	5		
PM-FCL06AMK2*			197	157			19				6	3.5	6		
PM-FCL08AMK2*			215	175			19				6	3.5	6		
PM-FCL10AMK2*			233	193			19				6	3.5	6		

Notes

- * Includes Static Brake
- **Bolt Circle Diameter =90mm

Solid Models Available for Download parkermotion.com/pseries